



**UniFi**

*Enterprise WiFi System*

Models:

UAP

UAP-LR (Long Range)

**QUICK START GUIDE**



## Introduction

Thank you for purchasing the Ubiquiti UniFi Enterprise WiFi System. The UniFi Enterprise WiFi System includes the UniFi Controller software that allows you to manage your wireless network using your Web browser.

This Quick Start Guide is for use with the following UniFi Enterprise WiFi System Access Point models. Unless otherwise needed to specify differences between the two models, this Quick Start Guide will refer to both as UniFi AP.

Model	Maximum Power Consumption	Maximum TX Power
UniFi AP (UAP)	4W	20 dBm
UniFi AP Long Range (UAP-LR)	6W	27 dBm

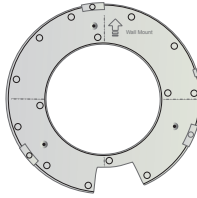
The UniFi Enterprise WiFi System also includes the necessary hardware for mounting the unit on a wall or a ceiling. The UniFi Enterprise WiFi System supports Passive PoE which works with the included PoE adapter.

If you want to power the UniFi AP from an 802.3af compliant switch, Ubiquiti Networks offers the optional Instant 802.3af Adapter to instantly transform any PoE device into a fully 48V 802.3af compliant product. Product details are available on our website at <http://ubnt.com/8023af>

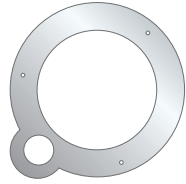
## Package Contents



UniFi AP



Wall-Mount Bracket



Ceiling-Mount Plate



UniFi Controller  
CD with User Guide



Quick Start Guide



24v PoE  
Adapter



Power Cord



M3X30 Flat Head  
Screw (Qty. 3)



M3 Keps Nut with  
Tooth Washer  
(Qty. 3)



M2.9x20 Self Tapping  
Screw (Qty. 3)



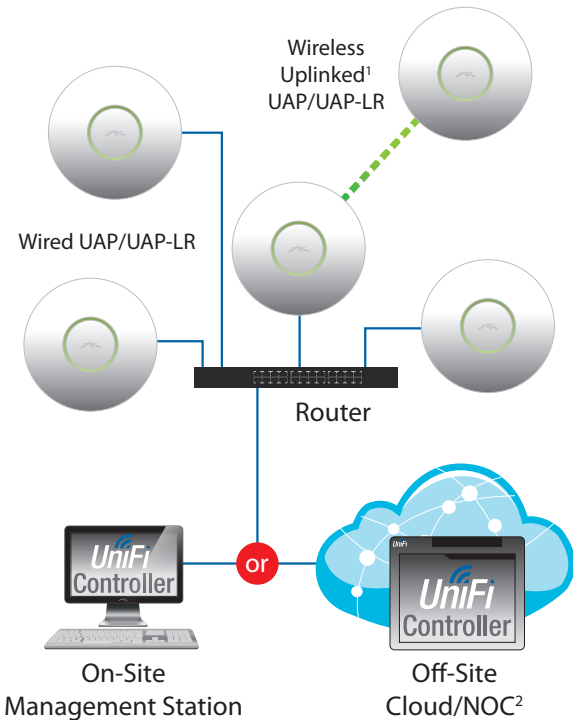
M3x20 Screw  
Anchor (Qty. 3)

## System Requirements

- Microsoft Windows XP, Windows Vista, Windows 7, or Mac OS X
- Java Runtime Environment 1.6 (or above)
- Web Browser: Mozilla Firefox, Google Chrome, or Microsoft Internet Explorer 8 (or above)

## Network Topology Requirements

- A DHCP-enabled network (for AP to obtain an IP as well as for the wireless clients after the deployment).
- Access point(s) and either an on-site management station computer running the UniFi Controller software connected to the same Layer-2 network or located in an off-site cloud or NOC.



Sample Network Diagram

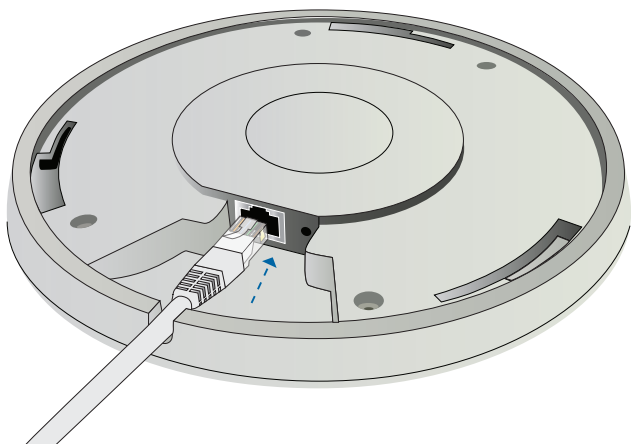


**Note:** <sup>1</sup>Please refer to the UniFi Enterprise WiFi System User Guide | UAP/UAP-LR for setting up Wireless-Linked APs. <sup>2</sup>All UniFi APs support Off-Site Management Controllers. See User Guide for setup details.

## Hardware Installation

The UniFi AP is powered by the included PoE (Power over Ethernet) adapter. To install the UniFi AP, perform the following steps:

1. Connect an Ethernet cable to the Ethernet port on the UniFi AP.



2. Connect the power cord to the power port on the PoE Adapter. Connect the other end to of the power cord to a power outlet.



3. Connect the other end of the Ethernet cable to the Ethernet port labeled **PoE** on the PoE Adapter.



**Note:** If you plan to mount the UniFi AP on your ceiling, perform the ceiling mount installation steps before connecting the Ethernet cable to the PoE Adapter.



Below is an overview of the PoE connections.



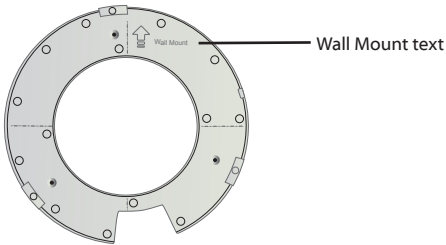
*Power Connection Diagram*

## Mounting the Access Point

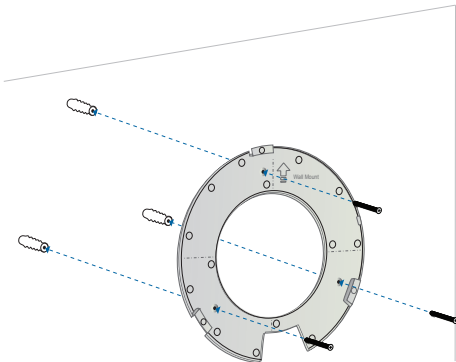
The UniFi AP can be wall-mounted or mounted on a ceiling. Perform the following steps for the appropriate installation:

### Wall-Mount

1. Align the wall-mounting bracket with the *Wall Mount* text facing up. There are horizontal and vertical lines on the bracket to help with orientation.

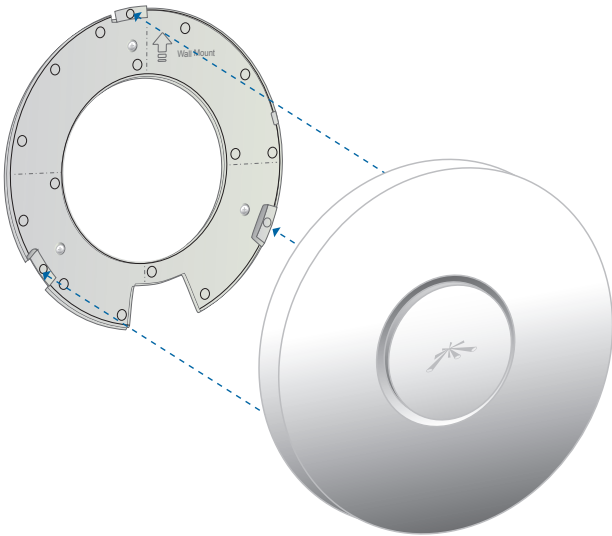


2. Use a pencil to mark the holes on the wall.
3. Use a 6 mm drill bit to drill the holes in the wall.
4. Insert the 3 screw anchors into the wall.
5. Secure the wall-mount bracket to the wall by inserting the self tapping screws into the anchors.

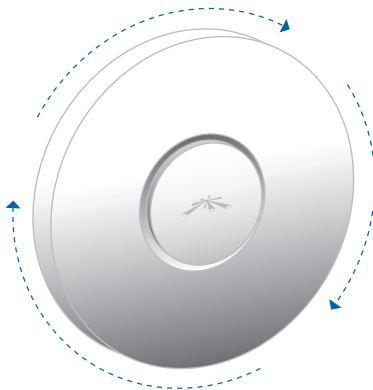




- Align the notches on the UniFi AP with the notches on the wall-mount bracket.

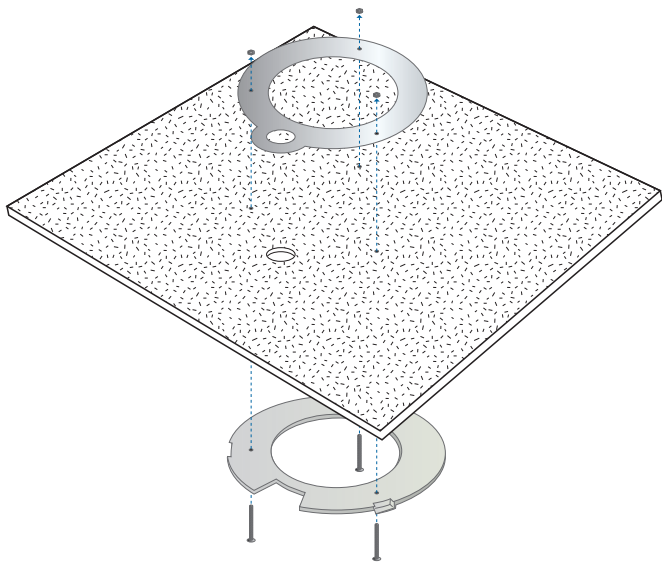


- Turn the UniFi AP clockwise until it locks into place.

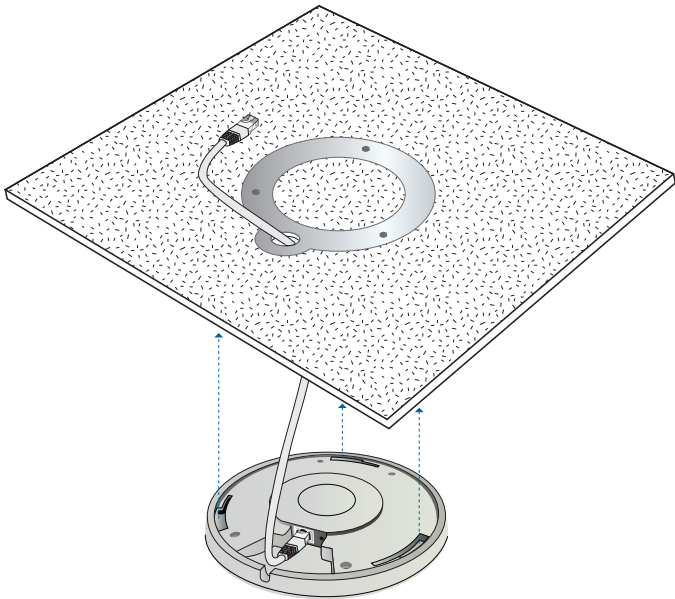


## Ceiling-Mount

1. Remove the ceiling tile.
2. Align the ceiling-mount plate to the center of the top side of the ceiling tile.
3. Use a 3.5 mm drill bit to drill holes for the three flat head screws.
4. Cut or drill a circle approximately 25 mm in size that lines up with the larger circle on the ceiling-mount plate. This will be used for the Ethernet cabling.
5. Secure the wall-mount bracket and ceiling-mount plate to the ceiling tile using the 3 flathead screws and 3 nuts with tooth washers.



6. Feed the Ethernet cable through the hole and then align the UniFi AP with the notches on the wall-mount bracket.



**Note:** The UniFi AP supports Passive PoE which works with the included PoE adapter. If you want to power the UniFi AP from an 802.3af compliant switch, Ubiquiti Networks offers the optional Instant 802.3af Adapter to instantly transform any PoE device into a fully 48V 802.3af compliant product. Product details are available on our website at <http://ubnt.com/8023af>

7. Turn the UniFi AP clockwise until it locks into place.

## Software Installation

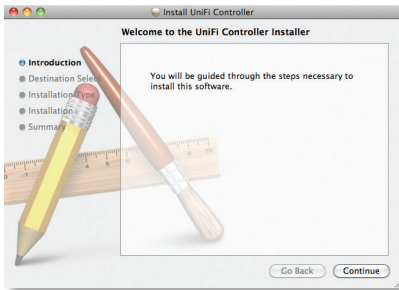
Insert the UniFi Controller software CD into your CD-ROM drive and follow the instructions for your specific computer type.

### Mac Users

1. Click on the **Install** icon.



2. Click **Continue** and follow the on-screen instructions to install the software.



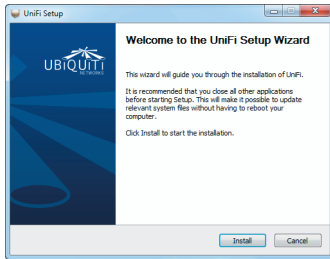
- Go to **Go > Applications** and double-click the *UniFi* icon.



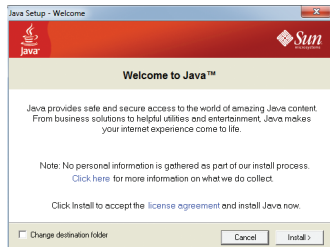
Proceed to *Configuring the UniFi Controller Software* on page 13.

## PC Users

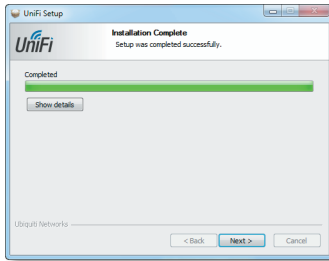
- Launch **UniFi-installer.exe**.
- Click **Install**.



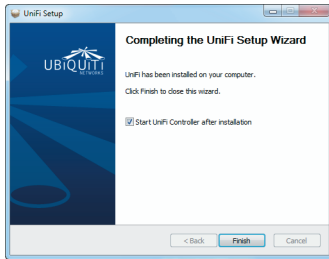
- If your computer doesn't have Java 1.6 or above installed, you will be prompted to install it. Click **Install** to continue.



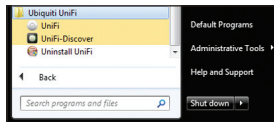
4. Click **Next**.



5. Be sure the *Start UniFi Controller after installation* option is checked and click **Finish**.



**Note:** The UniFi Controller software can also be launched from **Start > All Programs**.

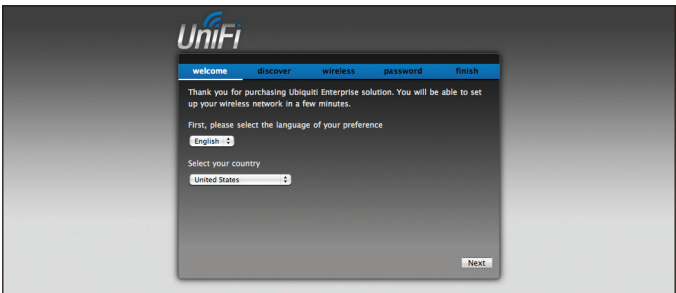


## Configuring the UniFi Controller Software

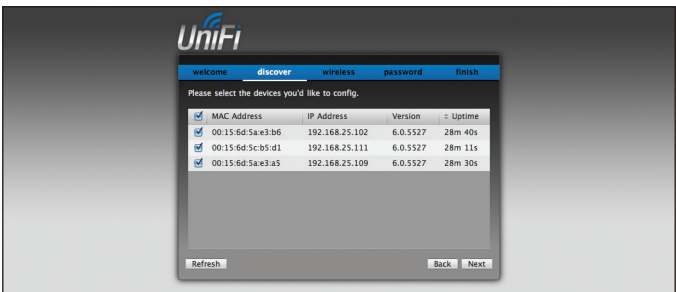
1. The UniFi Controller software startup will begin. Click **Launch a Browser to Manage Wireless Network**.



2. Select your language and country. Click **Next**.



3. Select the devices that you want to configure and click **Next**.



4. The UniFi Installation Wizard will create a secure primary wireless network for your devices. Perform the following steps:
  - a. Enter the wireless network name (SSID) in the *Secure SSID* field.
  - b. Enter a passphrase to be used for your primary network.
  - c. If you want to enable guest access, select **Enable Guest Access** and enter a guest network name in the *Guest SSID* field.
  - d. Click **Next**.



5. Enter an admin name and password to use when accessing the management interface. Confirm your password in the *Confirm* field. Click **Next**.





- Review your settings. Click **Back** to make changes or **Finish** to save your settings. Once finished you will be redirected to the management interface via your web browser.



Congratulations, your wireless network is now configured.

A login screen will appear for the UniFi Controller management interface. Enter the *Admin Name* and *Password* that you created and click **Login**.



You can manage your wireless network and view network statistics using the UniFi Controller management interface. For information on configuring and using the UniFi Controller software, refer to the User Guide located on the CD.

# TOUGH Cable™

## English

We recommend that you protect your networks from the most brutal environments and devastating ESD attacks with industrial-grade shielded Ethernet cable from Ubiquiti Networks. For more details, visit **[www.ubnt.com/toughcable](http://www.ubnt.com/toughcable)**

## Deutsch

Schützen Sie Ihre Netzwerke vor extremen Umwelteinflüssen und verheerender elektrostatischer Entladung (ESD), indem Sie abgeschirmte Ethernetkabel in Unternehmensqualität von Ubiquiti Networks verwenden. Weitere Informationen erhalten Sie unter **[www.ubnt.com/toughcable](http://www.ubnt.com/toughcable)**

## Español

Le recomendamos que proteja sus redes de los entornos más hostiles y los devastadores efectos de las descargas electrostáticas utilizando cable Ethernet blindado con calidad-industrial de Ubiquiti Networks. Para obtener más información, visite **[www.ubnt.com/toughcable](http://www.ubnt.com/toughcable)**

## Français

Nous vous recommandons de protéger vos réseaux contre les environnements les plus brutaux et les décharges électrostatiques les plus dévastatrices avec un câble Ethernet Ubiquiti Networks avec blindage renforcé. Pour en savoir plus, rendez-vous sur **[www.ubnt.com/toughcable](http://www.ubnt.com/toughcable)**

## Italiano

Si consiglia di proteggere le reti dagli ambienti e dagli attacchi ESD più invasivi con il cavo Ethernet schermato-di tipo industriale di Ubiquiti Networks. Per ulteriori informazioni, visitare il sito Web **[www.ubnt.com/toughcable](http://www.ubnt.com/toughcable)**



## Ubiquiti Networks Support

Email: **support@ubnt.com**

Phone (9 a.m. - 5 p.m. PST): **408-942-1153**

## Online Resources

Wiki Page: **www.ubnt.com/wiki**

Support Forum: **www.ubnt.com/forum**

Downloads: **www.ubnt.com/support/downloads**

